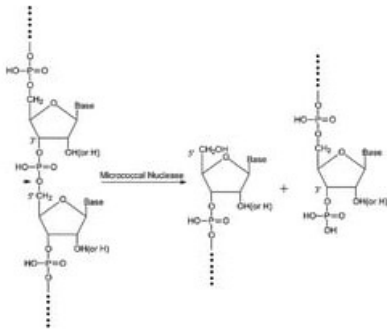


# Nuclease micrococcal from *Staphylococcus aureus*, 100-300 units/mg protein

Nuclease micrococcal from *Staphylococcus aureus*, 100-300 units/mg protein

## Identificativi Prodotto

Reference: N3755-500UN



## Descrizione

### Dati Tecnici

CAS Number: 9013-53-0  
Purity Grade: 100-300 units/mg protein  
Shipped on ICE/no ICE: STD  
SAP Pack with Pack Qty: 1X500UN  
Storage Temperature: -20C